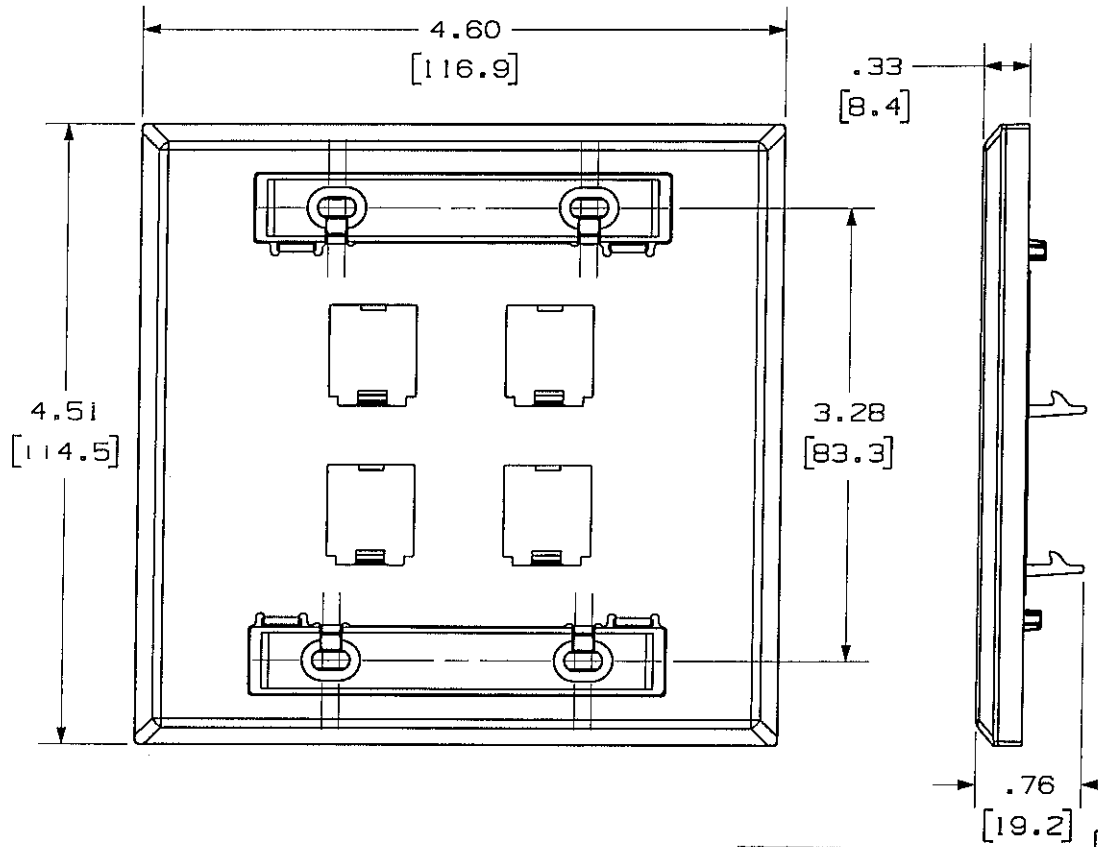


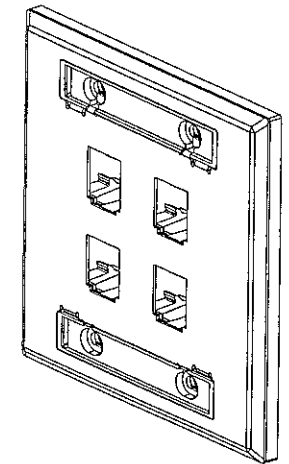
THIS COPY IS PROVIDED ON A RESTRICTED BASIS AND IS NOT TO BE USED IN ANY WAY DETRIMENTAL TO THE INTERESTS OF PANDUIT CORP.

PANDUIT P/N	WEIGHT
CFPL4S-2GY	2.42 LB/10 PCS (1097.7g/10 PCS)



NOTES:

1. SEE CURRENT CATALOG FOR ADDITIONAL PART NUMBER SUFFIXES TO INDICATE COLOR AND OR PACKAGE QUANTITY.
2. SEE CATALOG FOR COMPLETE LIST OF PARTS APPLICABLE FOR USE WITH THIS PART.
3. DIMENSIONS IN PARENTHESES ARE IN METRIC.
4. PART INCLUDES:
1- FACEPLATE
4- #6-32 X 1" MOUNTING SCREWS
2- LABEL
2- LABEL COVER



NETWORK SYSTEMS
MAY 25 2006
ENGINEERING DEPT

MODEL FILENAME	MO2093AK_CFPL4S-2G_00.PRT	SIZE	A
DRAWING FILENAME	MO24791P_DC226_00A.PRT		

MINI-COM 4 POSITION STAINLESS STEEL
DOUBLE GANG FACEPLATE WITH LABEL
CUSTOMER DRAWING

<p>PANDUITTM CORP. TINLEY PARK, ILL 60477</p> <p>ALL DIMENSIONS ARE GIVEN IN INCHES, UNLESS OTHERWISE SPECIFIED. DIMENSIONAL TOLERANCES ARE: (.X) ± (.XXX) ± .010(.31) (.XX) ± .031(.81) ANGLES ±</p> <p>THIRD ANGLE PROJECTION</p>	1:1 NUMBER	N/A
	PRODUCT SPEC	N/A
	WORK INSTRUCTION	N/A
	SCALE	NONE
	PART NO.	CFPL4S-2GY
DRAWN BY	JsP	
DATE	3-25-06	
MATERIAL	FACEPLATE- STAINLESS STEEL BACKING- ABS	
CHK'D	JCO	
DRAWING NO.	02479-226	

REV	DATE	BY	CHK	DESCRIPTION	ECN	R	CUST	SUP	OTH
R	3-25-06	JsP	JCO	RELEASED TO PRODUCTION	02479-226	JCO	JCO		